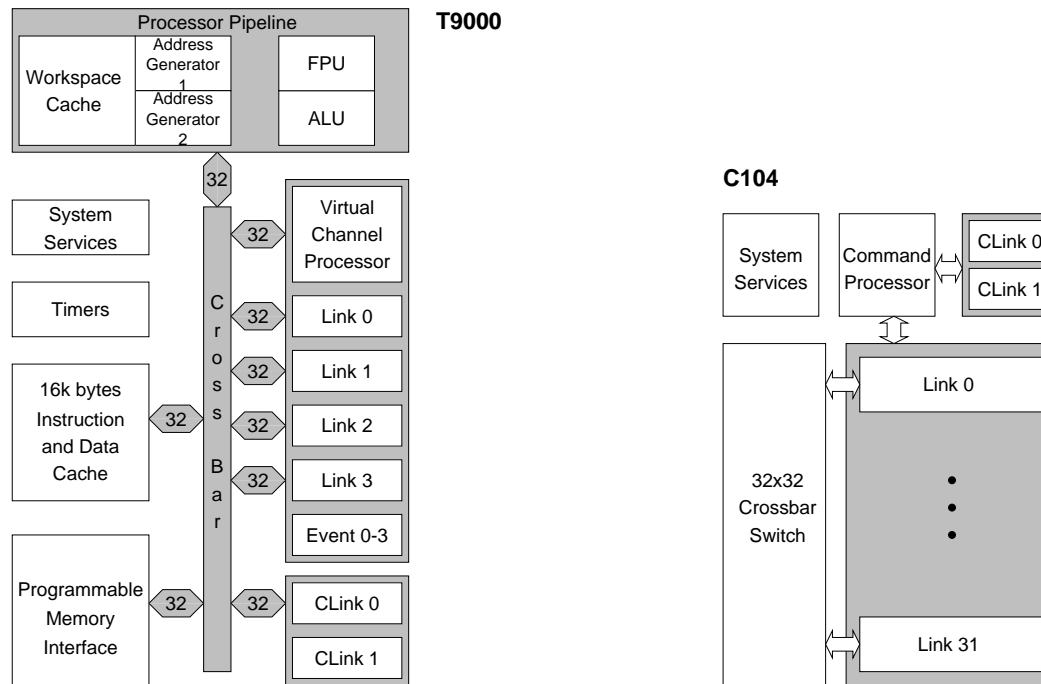


# T9000 Transputer

This second generation transputer gives much better performance on valency 4 networks with faster links and hardware support for multiple *virtual channels* over each physical link.



In addition a hardware routing engine (C104) supporting *wormhole routing* over 32 links can be used to create large indirect networks.