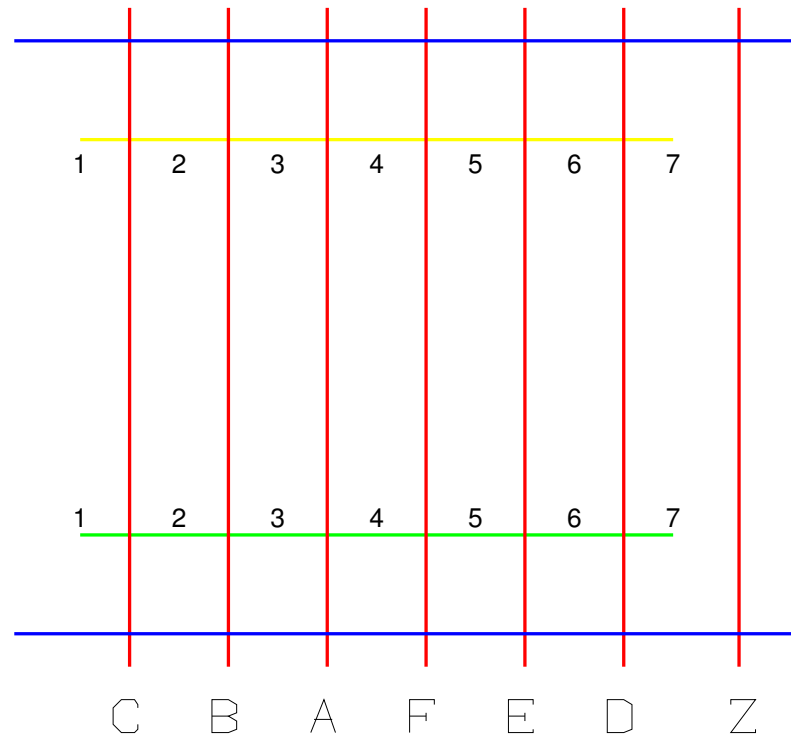
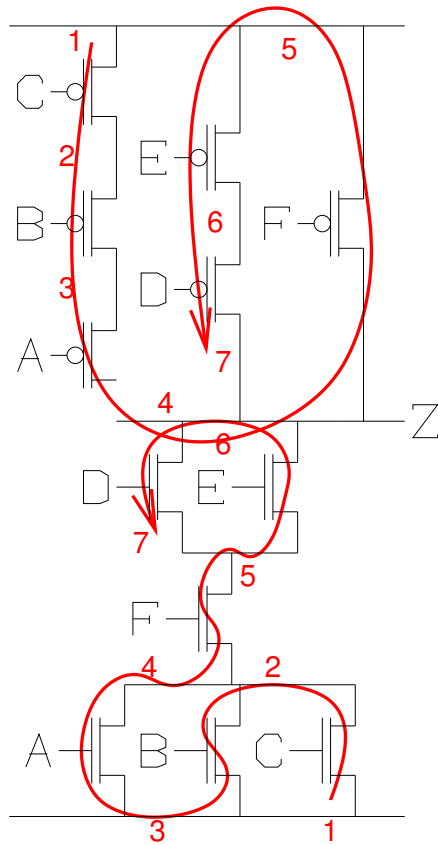


Digital CMOS Design

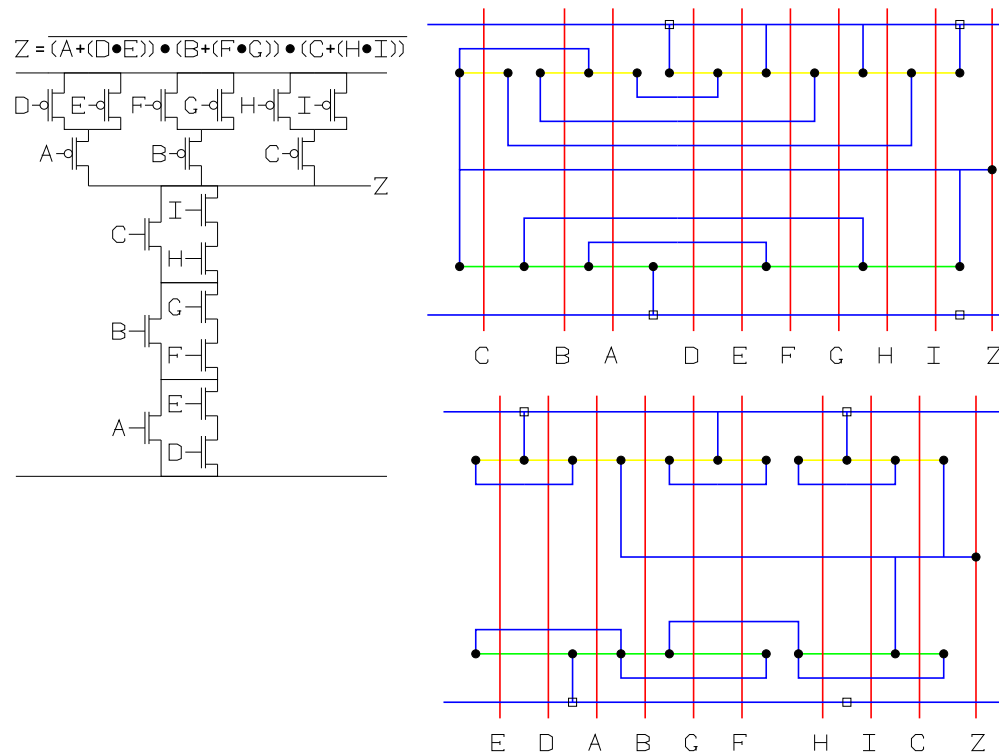
Finding an Euler Path

$$Z = \overline{(A+B+C)} \bullet (D+E) \bullet \overline{F}$$



Digital CMOS Design

Finding an Euler Path



No possible path through p-transistors.
No re-arrangement will create a solution!